



CATALOG

Party & Picnic

	Day	Weekend
• Banquet Tables, Card Tables	\$6	\$10
• Chairs (folding/Straight)	.50	\$1
• *BBQ Grill (charcoal not included)	\$29	\$54
• Coleman Converta Cot	\$2	\$3
• Canopy (Pop-Up) 12'x12'	\$35	\$65
• Canopy (Pop-Up) 10'x15'	\$40	\$75
• Canopy (Pop-Up) 10'x20'	\$45	\$80
• Canopy 15'x15'	\$46	\$90
• Canopy 20'x20' Pole Tent	\$58	\$110
• Canopy 20'x20' Frame Tent	\$65	\$118
• Canopy 20'x40' Frame Tent	\$80	\$140
• Canopy sides (per side)	\$12	\$20
• Theater Style Popcorn Machine	\$20	\$35
• Regular Inflatable Playstation (requires electricity)	\$80	\$125
• Large Inflatable Playstation (requires electricity)	\$92	\$150
• **^X-Large Inflatable Playstation (requires electricity)	\$150	\$250
• Ice Cream Cart on bike tires	\$15	\$25
• **Dunk Tank	\$80	\$128
• Stake Puller	\$5	\$8
• Sledge Hammer	\$5	\$8

* 100 mile radius on all towable equipment

* Requires 1 7/8" ball and 4-prong light connector

** Requires 2" ball and 4-prong light connector

*** Requires 2 5/16" ball and 7-prong light connector

Lifejackets and oars are included in the rental fee. Fuel and oil are not.

^Trailer Included

Banquet Table, Card Table



- Banquet Tables are 8' long available in two varieties aluminum throughout or plastic molded
- Card Tables are plastic molded measuring 33" by 33".



Day \$ 6.00 Weekend \$10.00

Chairs



- This All-Steel Folding Chair features a roomy 16" x 16" seat with full rolled edges and a wide contoured back. No chair holds up for years of use like steel folding chairs. For any special occasion, our metal folding chairs are the obvious answer. These folding chairs are easy to store, easy to clean, and have heavy-duty steel frames to stand up to all that sitting down!

Day \$ 0.50 Weekend \$1.00

BBQ GRILL (Charcoal Not Included)



- Using charcoal or wood produces traditional, smoked BBQ flavor.
 - Add flavored wood pellets to charcoal for additional real BBQ flavor.
 - Large grill surface area is perfect for corporate picnics, fairs, weddings, carnivals, customer appreciation parties, fund raisers or large catered events.
 - Standard features include: Croft adjustable hitch, running lights and fenders.
- * Restricted to a 100 mile radius**
- * Requires 1 7/8" ball and 4-prong light connector**

Day \$ 29.00 Weekend \$54.00

10X20 & 10X15 Pop-Up Canopy



10'x15'

Weight: 85lbs

Comes with Professional 500D Polyester
100% Waterproof
Built In Foot Pads

- Industrial grade powder coated steel frame
- Hammertone textured finish
- No tools needed for set-up
- Patented pull pin technology
- Multiple height settings
- Water and fire resistant fabric top
- 100% UV Protection
- Stakes and ropes included

10X20 = Day \$45.00 Weekend \$80.00

10X15 = Day \$40.00 Weekend \$70.00

15X15 & 20X20 Pole Tent

- The Party Tent is a stylish party frame tent with a cross wire supporting the center pole. The center pole does not interfere with useable space and there are no rafters to contend with. Vista tops are made from a 14 oz. gloss vinyl. The lower frame on the 10x10 is 2" anodized tubing, while the 15x15 and the 20x20 use the 2"x4" twin tube. Frame parts are connected with quick pins..



15X15 = Day \$ 46.00 Weekend \$90.00

20X20 = Day \$ 58.00 Weekend \$110.00

20'X20' Frame Tent



- Heavy Duty Polyester Oxford Top Cover
- Full UV Protection The 20x20 party tent is great for those large functions or events. This party canopy tent displays style with a lot of room to entertain. The party tent is easy to install and a favorite for homeowners who want to do it themselves. Our party tents are built with super heavy duty 2 inch diameter frames. This Party Canopy Pole Tent brings a lot of functionality with class.
- Waterproof and Weather Resistant
- Water Resisting Pressure: 1,000mmHg
- Easy Set-up
- Galvanized Steel Poles 2 inch Pole Diameter - Heavy Duty 16 Gage
- Canopy Size Details:
High Peak (120 Degree) Roof Type
Width = 20'
Length = 20'
Side Height = 7'
Center Height = 11'1"
Weight = 280 pounds
With 8 Legs

Day \$ 65.00 Weekend \$118.00

20'X40' Frame Tent

Canopy Size Details:

High Peak (120 Degree) Roof Type

Width = 20'

Length = 40'

Side Height = 8'

Center Height = 13'1"

Weight = 510 pounds

With 12 Legs



- The 20x40 party tent is great for large weddings and events that require elegance. This party tent and wedding tent displays style with a lot of space. The party tent is easy to install and a favorite for weddings and larger events. Our party tents are built with super heavy duty 2 inch diameter frames. This Party Pole Tent brings a lot of functionality with class.

- Heavy Duty Polyester Oxford Top Cover
- Full UV Protection
- Waterproof and Weather Resistant
- Water Resisting Pressure: 1,000mmHg
- Easy Set-up
- Galvanized Steel Poles 2 inch Pole Diameter - Heavy Duty 16 Gage

Day \$ 80.00 Weekend \$140.00

Canopy Sides (Per side)



- Super Heavy Duty Tarp Side Cover
- Full UV Protection
- Super Heat Resistant
- Waterproof and Weather Resistant
- No Tools Required - Easy Set-up
- 7' x 20'

Day \$ 12.00 Weekend \$ 20.00 (per side)

Dunk Tank



- **Dimensions**
- Length: 4ft
- Width: 8ft
- Height: 8ft
- Weight: 350 Lbs.
- Seat Capacity: 250 Lbs.
- Tank Holds up to 500 gallons of water
- When the summer gets hot what better to way to cool down than letting your friends dunk you in a dunk tank. Our dunk tanks are towable and easy to assemble. Enjoy them just for fun or use them for birthdays, parties, and events.
- **Restricted to a 100 mile radius**
- ****Requires 2" ball and a 4-prong light connector**
- **Water Not Included**

Day \$ 80.00 Weekend \$128.00

Hydro Blaster



- Don't you hate it when it's 100 degrees out and you can't keep cool. Well come rent the Hydro Blaster. It's a great way to cool off in the summer and great competition with family and friends. The key is to pop your opponents balloon before they pop yours.
- The Hydro Blaster Includes:
- Top
- 2 poles that lock together in the middle
- Base
- The Lock Pen
- Velcro
- 6 Plastic Caps
- Watersplitter
- 4 Brass Fittings
- 2 Air Hoses
- 2 Water Hoses
- 2 Air Pumps with Pressure Dials
- Instructions

Day \$40.00 Weekend \$70.00

Ice Cream Cart



- Plug unit in for overnight charging.
- Unplug when ready to use.
- Maintains proper temperature for your product the whole day.

Day \$ 15.00 Weekend \$25.00

Theater Style Popcorn Machine



The Gold Medal 2552 Pop Maxx Value Line Popper is a 12- 14 oz., stainless steel popper and is a great value for you. The 2552 will produce mountains of perfectly popped corn with minimum space required and maximum efficiency in pop-out per watts consumed. The 2552 features a complete stainless steel cabinet and removable tempered glass windows for easier cleaning. A popcorn scoop, a measuring cup for corn and oil, and a Flavacol measuring spoon are also included for your convenience.

Overall Dimensions:

Width: 20"

Depth: 20"

Height: 32"

Day \$ 20.00 Weekend \$35.00

Tiki Island



Product Dimension:

Length: 33ft 6in

Width: 27ft 2in

Height: 14ft 6in

Weight: 670LBS

Tiki Island is sure to be a hit at your next activities or family functions. With a large bounce area and two slides this is one of our largest inflatables. Kids will enjoy hours of fun.

Comes with two air blower.

Comes on a trailer requires a 2" ball and a 4-prong light connector

Requires electricity

Day \$ 150.00 Weekend \$250



Monster Obstacle Course

The Monster Obstacle Course come in two sections that connect to make 67 and ½ feet of fun. This is our largest inflatable and will provide hours of fun for kids of all ages. Comes with two air blower. Comes on a trailer requires a 2" ball and a 4-prong light connector. **Requires Electricity**

Section One

Length : 33'6"
Width: 11'6"
Height: 12'6"
Weight: 360 LBS



Section Two

Length : 34'
Width: 12'6"
Height: 18'
Weight: 395 LBS



Day \$ 150.00 Weekend \$250

Super Castle/Slide



- **Product Dimensions:**
Length: 22'
Width: 19'
Height: 15'3"
Weight: 350 Lbs.
- **Comes with one air blower.**
- Need to get the kids out of the house and active? Then come rent the Super Castle/Slide bounce house combo. Its great for parties because it has a huge jumping area and a big slide on the side. Great for functions and other events as well. It also has two basketball hoops on it (one on the inside and one on the outside on the slide part) so the kids will even more fun playing in it.
- **Requires Electricity**

Day \$92.00 Weekend \$150.00

Tropical Paradise



Product Dimensions:

Length: 25'

Width: 13'

Height: 14'

Weight: 350 Lbs.

Comes with one air blower.

This inflatable is two in one so it is double the fun. You and your family can go in jump and climb up the steps and slide down. It is easy to setup and take down and safe for the kids. It also will keep the kids busy for hours so you can relax and enjoy the fun!

Requires electricity

Day \$ 92.00 Weekend \$150.00

Bungee Run



- Length: 35'
Width: 11'
Height: 7'
Weight: 412 Lbs.

Includes 1 Blower

- Inlatable 2000, Inc. carries the full range of the inflatable industry staple games. All of these games are made from high quality 18oz. vinyl materials that meet or exceed the NFPA 701 Small and Large Scale standard. Additionally, these games are built to be the toughest in the industry as they are designs that have been proven over many years and millions of exposures. The Bungee Run is 35' and includes 2 adult or 2 child harnesses, carabiners, 2 backing plates, and 2 batons. **Requires electricity**

Day \$ 92.00 Weekend \$150.00

Slide



Product Dimension:

Length: 23 feet

Width: 13 feet

Height: 16ft

Weight: 300lbs

This slide is a great addition to any party or social gathering.

Comes with one air blower.

Requires electricity

Day \$ 80.00 Weekend \$125.00

Regular Inflatables



Castle

- Medium 13ft x 13ft
Large 15ft X 15ft
Weight: 196 Lbs.
- The medium-sized Castle 2 will let your attendees have a royal bouncing time in this bright and happy bounce house. Little princes and princesses will rule in this brilliantly-colored castle with hues of orange, blue, red, green and yellow, perfect to suit any party theme, or to stand out during a busy event.. This easy-to-inflate bounce house is a great way to promote safe exercise and healthy activity for kids.
Requires electricity



Birthday Cake

- Length: 14' 4"
Width: 15' 4"
Height: 16'
Weight: 196 Lbs.
- Got Bounce? This Birthday Cake Jumper provides over 150 square feet of pure perfect for all size gatherings! Bouncing puts you in a state of health and fitness, improves your sense of balance, provides an aerobic effect for your heart, strengthens your muscles, increases the capacity for respiration, results in a better mental performance, promotes body growth and repair and comes in all your favorite shapes and themes!
Requires electricity

Day \$ 80.00 Weekend \$125.00

Module Inflatable



- **Product Dimensions:**

Length: 16'4"

Width: 15' 4"

Height: 13"

Weight: 190 Lbs.

This inflatable can be used plain or with one of our fun art panels. Choose from one of the four themed panels.

Requires electricity



Canoes, Boats, & Accessories

	Day	Weekend
#Fiberglass Canoe (12' or 16')	\$16	\$28
#Kayak, 1 or 2 Person (12' or 15')	\$16	\$28
*/**Canoe Trailer (holds 1 or 2)	\$10	\$18
*/**Canoe Trailer (holds 6 or 8)	\$23	\$40
*/**#6 Canoe Package (aluminum w/trailer)	\$92	\$175
*/**#8 Canoe Package (aluminum w/trailer)	\$115	\$200
**#Low Fishing Boat	\$140	\$220
**#Fishing Boat w/motor,9.9hp,trailer	\$41	\$75
#Fishing Boat w/,trailer ONLY	\$23	\$40
Anchor/Lifejacket/Oars/Paddle	\$2	\$4
Trolling Motor w/battery	\$12	\$20
9.9 Boat Motor	\$20	\$35
Dry Bags	\$3	\$5

Boaters Safety Course is required to rent a motorized boat at ODR

*** 100 mile radius for all towable equipment**

*** Requires 1 7/8" ball and 4-prong light connector**

**** Requires 2" ball and 4-prong light connector**

***** Requires 2 5/16" ball and 74-prong light connector**

Lifejackets and oars are included in the rental fee. Fuel and oil are not.

1-2

Person Canoe



Product Dimension:

Length: 16' 9"

Width: 37"

Weight: 85lbs.

These value-packed recreational canoes are made tough, rugged and unsinkable, thanks to our 3-layer process. And they're also made to perform. Agile, stable and easy to handle, Discovery is sure to be a family favorite for years of outdoor enjoyment.

- Rotor-molded decks with grab handles
- Ash carrying yoke and thwart
- Vinyl gunwales
- Black blow molded seats

Lifejackets and oars are included in the rental fee.

Day \$ 16.00 Weekend \$28.00

1 or 2 Person Kayak



- Ergonomic Extra sport extra Comfort Seat with on-deck adjustment
- Glove box hatch for keys, wallet
- Open cockpit control panels
- Space Hatch and bulkhead
- Stable-form hull design
- Paddle keeper
- Deck bungee

Paddle is made of tough Polyethylene and an aluminum shaft with a polyethylene shaft grip.

Lifejackets and oars are included in the rental fee.

Day \$ 16.00 Weekend \$28.00

Canoe Trailer



- All steel tubular construction
- White powder coat finish
- 56" overall width, 43" between fenders
- Composite fenders and 2" coupler
- 80" wide carrying arms are adjustable up and down, front to back
- Carrying arms come with plastic protectors to keep from scratching canoes
- Arms include tie down lugs at each arm end
- Trailer tongue can be removed for easy storage
- Leaf spring suspension and marine lights
- 900 lb max. load weight capacity
- * Restricted to a 100 mile radius
- * Option of trailer holds 1 or 2 canoes, or 6 or 8
- * Requires a 1 7/8' ball or 2' ball and 4-prong light connector

Day \$ 10.00 Weekend \$18.00
Day \$ 23.00 Weekend \$ 40.00

6 or 8 Canoe Package



Lifejackets and oars are included in the rental fee.

- All steel tubular construction
- White powder coat finish
- 56" overall width, 43" between fenders
- 80" wide carrying arms are adjustable up and down, front to back
- Arms include tie down lugs at each arm end
- Trailer tongue can be removed for easy storage
- Leaf spring suspension and marine lights
- 900 lb max. load weight capacity
- * **Restricted to a 100 mile radius**
- * **Option of trailer holds 6 or 8 canoes**
- * **Requires a 1 7/8' ball or 2' ball and 4-prong light connector**

6-pack Day \$ 92.00 Weekend \$175.00
8-pack Day \$ 115.00 Weekend \$ 200.00

Lowe Fishing Boat 16.5'



Capacity: 5 People or 875 lb.

4 Seats included

This completely fish-ready boat package is designed to handle big water with a smooth, dry ride. Its all-welded construction with heavy-duty extruded keel and lifting strakes is designed for years of reliable fishing, while its rugged, handsome interior is as easy to care for as it is to fish. Standard pre-rigged package includes your choice of Mercury® outboard* (60 hp)

WR55 trolling motor, Lowrance® X50DS Fishfinder with temp

ABS molded console with tinted windshield, anti-feedback steering with soft grip wheel, full Teleflex® instrumentation



* Comes with a trailer

* **Boaters Safety Course is required to rent a motorized boat at ODR or Ft. Riley Marina.**

***Restricted to a 100 mile radius**

** **Requires 2" ball and 4-prong light connector**

* **Lifejackets and oars are included in the rental fee.**

Day \$ 140.00 Weekend \$220.00

Traditional V-Bottom Boat



V16



V14

Product Dimension:

Length: 14ft 5in

Width: 68in

Capacity: 5 People

You've seen these boats on lakes everywhere. At lake cabins, at resorts, behind cars on the way to the lake. They're simple, fun, nearly indestructible.

*** Restricted to a 100 mile radius**

*** Comes with trailer**

****Requires 2' ball and 4-prong light connector**

*** 9.9hp Mercury Engine, optional with additional fee**

*** Lifejackets and oars are included in the rental fee.**

*** Boaters Safety Course is required to rent a motorized boat at ODR.**

Day \$ 23.00 Weekend \$40.00

Day \$ 41.00 Weekend \$75.00 (with 9.9)

Anchor/Lifejacket/Paddles



- **Designed for the boat on a river. This is an all around anchor. Works well for boats 16' and under. Made with a Black poly-coated finish.**
- **Increased head support**
- **Holds head further out of the water**
- **Turns most wearers to a face-up position**
- **Filled with lightweight polyethylene foam**
- **Quick-lock buckles**
- **Made of tough Polyethylene and an aluminum shaft with a polyethylene shaft grip.**

Day \$ 2.00 Weekend \$ 4.00

Trolling Motor



Features:

12-volt trolling motor
with 34 lbs of thrust,
five speeds forward
and two reverse

Durable, all-metal
mount

Transom-or bow-
mount-compatible

28-inch, thick-walled
aluminum shaft

2-blade power prop

9.9 Boat Motor



- 15" Short Shaft, 4 Stroke
The multifunction tiller handle design provides one-hand operation of shifting, stopping, throttle control, tilting and steering.
- A standard manual recoil pull start.
- Easy starting and fast idle warm-up are provided by manual choke and primer.

Day \$ 20.00 Weekend \$ 35.00

Camping Equipment & Misc

	Day	Weekend
Tent (2 Person)	\$5	\$10
Tent (3 Person)	\$10	\$18
Tent (6 Person)	\$12	\$20
Lantern (Battery Not Included)	\$2	\$4
Stove (Propane / Fuel & Battery Included)	\$2	\$4
**Log Splitter	\$32	\$51
Camping Chairs / Coolers / Water Jugs / Bleacher Seats	\$3	\$5

*** 100 mile radius on all towable equipment**

Camping Equipment & Misc

	Day	Weekend
**Flatbed Utility Trailer (6' x 12')	\$14	\$26
**Enclosed Utility Trailer (6' x 12')	\$28	\$50
****&***Dove Tail Car Trailer (18')	\$40	\$70
Generator (8K)	\$25	\$45
****Coleman Taos Camper	\$40	\$70
****Coleman Camper	\$52	\$100
****Coleman Bayside	\$64	\$125
***Gulfstream 14	\$80	\$145
***Gulfstream 16	\$100	\$180

Propane Not Included!!!

- * 100 mile radius on all towable equipment
- ** Requires 2" ball and 4-prong light connector
- *** Requires 2 5/16" ball and 7-prong light connector
- **** Requires 2" ball 7 pin light connector

2 Person Tent

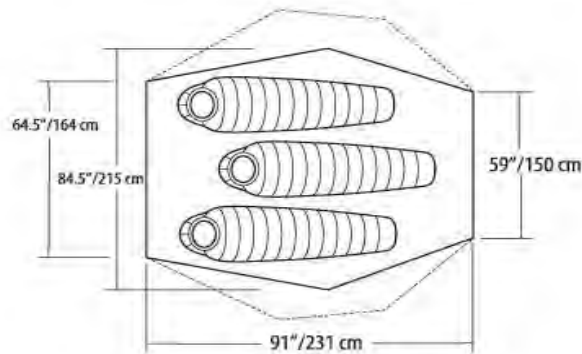
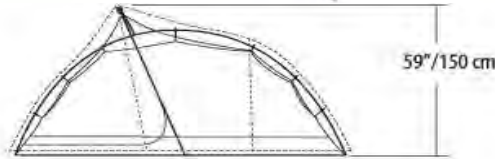


- Floor Size: 7'5" x 4'11"
- Pack Size: 6" x 18.5
- Tent Area: 36.5 sq. ft.
- Center Height: 3' 7.5"
- Min Weight: 4 lbs. 6 oz. Sleeps: 2
- Frame: 8.5 mm 7000 series aluminum
- Vents: 1
- Doors: 2
- Window: s2

- The three-season Pinnacle Pass 2 from Eureka! delivers many high-performance features at a great price. Perfect for weekend getaways or backcountry excursions, its a great choice for the solo camper, but roomy enough for a duet. The lightweight two-pole, 7,000 series aluminum frame of the Pinnacle Pass 2 is the perfect choice when its important to keep weight to a minimum. Two large twin-track doors with zippered covers offer easy entry. Dual demi-vestibules keep gear dry in inclement weather. Hooded vent on side wall, plus large mesh areas ensure maximum airflow in wet or humid conditions. Ring and pin assembly combined with pole clips make for quick and easy setup. Frame sections are shock corded in short sections for convenient storage in a backpack, canoe or bike panniers. 75-denier Storm shield polyester fly with 1,500mm-rated waterproof coating provides protection in inclement weather, and attaches with side-release buckles for fast, easy setup. Two interior storage pockets keep essentials handy.

Day \$ 5.00 Weekend \$10.00

3 Person Tent



FLOOR AREA = 46 SQ. FT. / 4.27 m²

HAMMERHEAD 3

- Hammerheads are free-standing, two and three person tents with a neat, convertible roof panel that opens to reveal the stars, and two huge vestibules for storage. Mesh windows roll back for additional venting. Three Atlas 7001 poles hold it all together. Guaranteed watertight construction.
- Minimum Weight
- 8.18 lb / 3.71 kg
- Packaged Weight
- 9.26 lb / 4.20 kg
- Usage
- Three-Season Backpacking / Camping
- Tent Floor
- 70D Nylon Taffeta 3000mm PU
- Fly Fabric
- 75D Polyester Taffeta 1500mm PU
- Poles
- Atlas 7001
- Canopy Fabric
- 20D Nylon Knit Mesh
- Canopy Fabric

Day \$ 10.00 Weekend \$18.00

6-Person Tent



- Three season, free-standing, deluxe car camping/ base camp tent
- Lightweight aluminum poles with press fit connectors
- Color coded webbing and buckles make set up easy
- Fly is durable polyester rip-stop with 1500mm waterproof polyurethane coating
- Floor is durable polyester with 1500mm waterproof polyurethane coating
- Tent body is lightweight polyester mesh and durable polyester rip-stop. Tent body doors are polyester with 1500mm waterproof polyurethane coating
- Sleeves and plastic clips attach the tent body to the pole frame for quick and easy set-up
- Reflective guyline for nighttime visibility
- Two large doors
- Welcome mat on front door provides space for muddy shoes
- Interior mesh floor pockets
- All seams taped with waterproof, solvent-free polyurethane (No PVC or VOC's) tape
- 14 superlight aluminum stakes included with tents
- Briefcase style carry bag with long shoulder straps and organizational pockets
- **Since the Big House tents are large, high profile tents, we recommend staking out all stake out points and all guy outs for the most stability, especially in windy conditions.**
- Note: we list several weights for our tents to aid your product research. Trail weight refers to poles, fly and tent body. Packed weight includes poles, fly, tent body, stakes, guy lines, stuff sacks, instructions, and packaging. Fast Fly weight refers to the poles, tent fly and accessory Fast Fly footprint.

Sleeps: 5-6

Doors: 1

Windows: 4

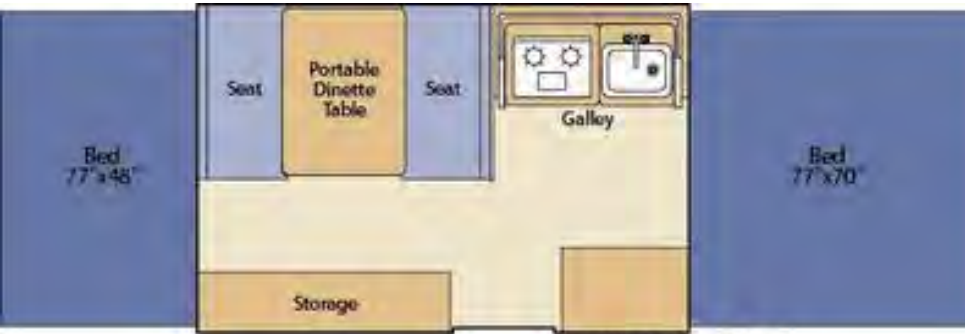
Weight: 23 lbs 15 oz

Area: 121 Sq. Ft.

Center Height: 7'

Day \$ 12.00 Weekend \$20.00

Coleman Santa Fe



- **Galley Type: Swing-level**
- **Countertops: Seamless edged**
- **Refrigerator: 1.9 cu.ft.**
- **Indoor Stove: 2 Burner**
- **Sink: Deep Bowl**
- **Cutlery Tray: Standard**
- **Dinette Type: Fixed**
- **Dinette Table: Seamless-edged Carry-out**
- **Dinette Seats: Metal Framed**
- **Outdoor Cooking: Carry-out Low Pressure Stove**
- **Mattresses: Upholstered**
- **Window Curtains and Bed Privacy Curtains: Standard**
- **Bed Support System: Back saver Support Legs**
- **Bathroom Structure: Privacy Curtain**
- **Beds: 2**
- **Restricted to a 100 mile radius**
- ******Requires 2" ball and 7-prong light connector**
- **Propane Not Included**

Day \$ 52.00 Weekend \$ 100.00 Weekly \$ 300.00

Gulf Stream 14



- Overall Length is 17'2"
- Overall Width is 8'4"
- Exterior Height is 8'11"
- Interior Height is 6'4"
- Dry Weight is 2,230 lbs.
- Hitch Weight is 220 lbs.
- Net Carrying Capacity is 1,050 lbs.
- Grey Water Tank is 37 gals.
- Fresh Water Tank is 30 gals.
- Propane Tank is 20 lbs.
- Water Heater is 6 gals.
- Has a mini refrigerator
- Has a microwave
- Has a Furnace
- Has A/C
- Camper connection is 115v/30 amp
- Sleeping Capacity is 2 people



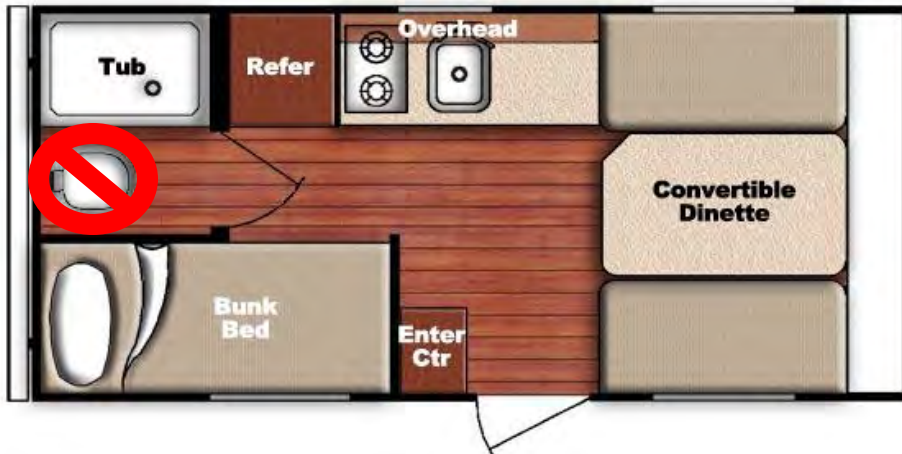
- **Restricted to a 100 mile radius**
- *****Requires a 2 5/16" ball and a 7 prong light connector.**
- **Propane Not Included**

Day \$ 80.00 Weekend \$ 145.00 Weekly \$ 490.00

Gulf Stream 16



- Overall Length is 18'7"
- Overall Width is 84"
- Exterior Height is 8'11"
- Interior Height is 6'4"
- Dry Weight is 2,310 lbs.
- Hitch Weight is 220 lbs.
- Net Carrying Capacity is 970 lbs.
- Grey Water Tank is 37 gals.
- Fresh Water Tank is 30 gals.
- Propane Tank is 20 lbs.
- Water Heater is 6 gals.
- Has a mini refrigerator
- Has a microwave
- Has a Furnace
- Has A/C
- Camper connection is 115v/30 amp
- Sleeping Capacity is 4 people



- **Restricted to a 100 mile radius**
- *****Requires a 2 5/16" ball and a 7 prong light connector.**
- **Propane Not Included**

Day \$ 100.00 Weekend \$ 180.00 Weekly \$ 600.00

Gulf Stream 21



- Overall Length is 21'
- Exterior Height is 8'11"
- Overall Width 96"
- Interior Height is 6'4"
- Dry Weight is 2790 lbs.
- Hitch Weight is 350 lbs.
- Net Carrying Capacity is 900 lbs.
- Grey Water Tank is 36 gals.
- Fresh Water Tank is 30 gals.
- Propane Tank is 20 lbs.
- Water Heater is 6 gals.
- Has a mini refrigerator
- Has a microwave
- Has a Furnace
- Has A/C
- Camper connection is 115v/30 amp
- Sleeping Capacity is 4 people



- **Restricted to a 100 mile radius**
- *****Requires a 2 5/16" ball and a 7 prong light connector.**
- **Propane Not Included**

Day \$ 120.00 Weekend \$ 224.00 Weekly \$ 720.00

Camping Chair, Water Jugs, Cooler



Day \$ 3.00 Weekend \$ 5.00

Flag Football/Disk Golf set



- Football
- 18 Belts
- 36 Flags 18 yellow 18 red

- Carry all bag
- Distance Driver
- Fairway Driver
- Mid-Range Driver
- Putter/Approach Disc
- Disc Towel
- Mini Marker



Day \$ 6.00 Weekend \$ 10.00

Lantern (battery not included)



- 13-watt fluorescent double U-tube for a brighter, whiter light
- Run time up to 28 hours on low, 18 hours on high on eight D batteries (not included)
- Cool touch fluorescent tube keeps lantern running cool
- Easy bulb replacement with quick-release system
- Weather- and shatter-resistant exterior
- Approximately 15.25" x 9" x 9"
- Weighs 3.16 pounds without batteries
- Bulb: 13-watt fluorescent U-tube

Day \$ 2.00 Weekend \$ 4.00

Stove (propane not included)



- 20,000 BTU in two powerful, high-performance burners
- Burners can be independently adjusted from low to high
- WindBlock™ system shields burners from wind for maximum heat
- WindBlock™ guards can be adjusted for various pot sizes
- Easy to clean, removable nickel-chrome stove grate
- Rust resistant, durable enamel-painted case
- Accessory case is available (sold separately)
- Propane stove runs up to one hour on single propane cylinder with both burners on high (Propane sold separately)

Day \$ 2.00 Weekend \$ 4.00

Coleman Converta Cot



- Comfortably sleeps one person up to 6' 2"
- Use on camping trips or for sleepovers
- Adjustable back has four positions
- Foot rest adjusts to two positions
- Mildew-resistant polyester fabric retains shape
- Tri-fold steel frame makes storage easy
- Weight capacity 225 lbs.
- Approximate size: 25" x 76" x 11.5"
- Carry weight - 11.6 lbs.

Day \$ 2.00 Weekend \$ 3.00

Utility Trailer 6X12



- Four foot removable ramp
- Pressure-treated deck
- One 3,500 lb. axle
- Easy lube cambered axles
- Tongue support
- Custom colors
- **Restricted to a 100 mile radius**
- ****Requires 2" ball 4 prong light connector**
- **No Straps Included**

Day \$ 14.00 Weekend \$ 26.00

Enclosed Utility Trailer



- Bright Aluminum Fender
- TREATED Plywood Flooring
- Tail Light
- Trailer Tongue Jack
- Interior Lighting
- Rear Ramp Door
- Side Door
- 6'X12' Trailer
- **Restricted to a 100 mile radius**
- ****Requires 2" ball and 4-prong light connector**

Day \$ 28.00 Weekend \$ 50.00

Dove Tail Vehicle Trailer(18')



- 7,000 lb GVWR
- 15 in tires rated 2,540 lbs each
- Fully wrapped heavy-duty tongue
- Treated wood flooring
- Slide-in ramps
- Fully lighted to D.O.T. Requirements
- 3,500 lbs cambered axles (2- Brakes Standard)
- 2,000 lbs top wind jack
- **Restricted to a 100 mile radius**
- *****Requires 2 5/16" ball and 7-prong light connector**
- ******Requires 2" ball 7 pin light connector**
- **No Straps Included**

Day \$ 40.00 Weekend \$ 70.00

Leisure Equipment

	Day	Weekend
Bikes	\$15	\$25
Football w/Flags or Disk Golf Set	\$6	\$10
Football, Basketball or Volleyball	\$3	\$5
Horseshoe Set	\$3	\$5
3-Bike Rack for Transport	\$3	\$5
Softball Set [gloves, bats, balls]	\$16	\$25
Tug-of-War Rope	\$6	\$10
Volleyball Set [poles, ball, net]	\$9	\$15
Badminton or Croquet Set	\$2	\$5
Global Positioning System (GPS)	\$5	\$8
Orange Cones [small, medium, large] (Set of 4)	\$3	\$5
Baggo Toss Game	\$10	\$18
Potato Sacks (set of 6)	\$3	\$5

Bicycles



- The true Hybrid, Trek's 7000 series is the one bike for all paths and manners of concrete. The perfect marriage of toughness and efficiency, the bike features rugged aluminum tubing with fast rolling tires that allow you to hit the dirt if conditions call for it. If you're looking for a fast and durable solution to the changing landscape, you've just found it.



Lime is designed for everyone-fun, easy three-speeds that shift automatically so you can just sit back, relax, and enjoy the ride. Whether you want to reclaim your youth or rediscover the simple pleasures of a bike ride, now's the time. Lime features the Shimano Coasting system along with a saddle that flips up like a trunk so you can stash your stuff. Customize your Lime with Trek's Peelz kits. This bike is all about fun so just get on and go.

Day \$ 15.00 Weekend \$ 25.00

3- Bike Rack for transport



- 3 Bike Capacity. Tough resin construction which is soft on your vehicle. and great at transporting your cycle. Rubber foot pads adjust to contours of all types of car/van/4X4. Integrated straps to hold and stabilize
- bikes on 3 different levels.

Day \$ 3.00 Weekend \$ 5.00

Football, Basketball or Volleyball



Day \$ 3.00 Weekend \$ 5.00

Horseshoe Set



- An classic since 1927
- Includes four forged-steel horseshoes, two solid-steel stakes

Softball Set (gloves, bats, balls),

- pick up the Softball Everything you need. Catcher's Mitt, Softballs, Bat, Base.



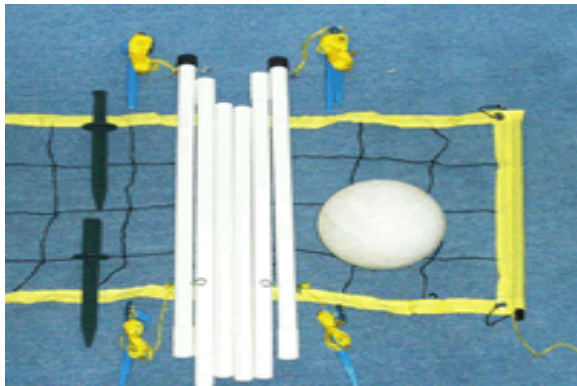
Day \$ 16.00 Weekend \$ 25.00

Tug - of - War Rope

- Easy multi-grip ropes make group activity more fun and make teamwork an easier activity to teach. Each Multi-Grip rope is made of a lightweight, water-resistant synthetic fiber webbing which meets or exceeds safety belt specifications.



Volleyball Set (poles, ball, net)



- **Volleyball Set**
- **Ideal for Picnics, Outdoor Gatherings, Use While Camping, the Beach, Backyards, Family Reunions**
- **Set Includes Net, Synthetic Volleyball, Recommended for 2 or More Players**
- **Comes with Storage Bag,**

Baggo Toss Game



- The ultimate fun game for the whole family
- Easy and quick to setup
- Includes
2 boards
8 bean bags

Day \$ 10.00 Weekend \$ 18.00

Kan Jam



- Want to make a picnic more exciting, then come rent Kan Jam. It's exciting/fast paced, it's an interactive team game, action packed and fun.
- You can play it anywhere; the backyard, the park, out camping, tailgating, on the beach, and at parties.
- Kan Jam is also easy to set up and easy to learn.
- Kan Jam includes:

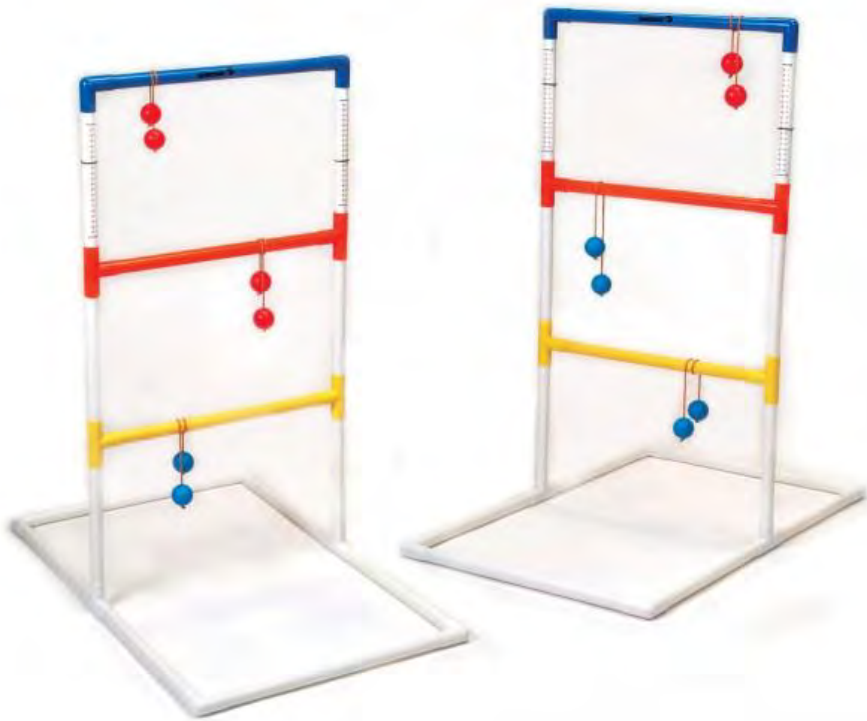
2 black cans

1 yellow Frisbee

Day \$ 8.00 Weekend \$ 14.00

Instructions

Ladder Golf



- Come rent Ladder Golf the ultimate picnic game.
- Ladder Golf is great for tailgating, BBQs, and parties.
- It's quick and easy to setup and very fun to play.
- Ladder Golf includes:

2 ladder towers

2 ball and cord ball sets (3 yellow, 3 blue)

Instructions

Day \$ 8.00 Weekend \$ 14.00

Noc-It



- Do you ever get bored playing the same game over and over again. If that's the case then come rent our Noc-It game, it's 3 games in one and a lot of fun. There is never a dull moment as everyone is always involved in the game play and strategy.
- Noc-It combines skill, strategy, and of course the occasional trash talking into one great game.
- Noc-It is great for picnics, BBQs, tailgates, and parties.
- Noc-It includes:

2 telescopic PVC poles w/target platform

2 Target Tubes

2 Playing Discs

2 Ground Anchors

2 Hard Surface Bases (Optional)

Carry Bag

Day \$ 10.00 Weekend \$ 18.00

Potato Sacks set of 6



Day \$ 3.00 Weekend \$ 5.00

Badminton or Croquet Set



- set includes 6 mallets, 6 handles, 6 balls, 9 metal wickets, 2 wooden stakes and canvas storage bag

Day \$ 2.00 Weekend \$ 5.00

Orange Cones

(small, medium, large) set of 4



- Use for lane markers, cross country, foul lines, out-of-bounds, record markers, crowd control, obstacle courses, goal markers, boundary markers, marking dangerous areas, repair areas, driver training and more!

Lightweight Orange Game Cones

- High visibility, fluorescent orange
- Durable, high impact polyethylene plastic construction
- Non-porous, dirt-resistant surface is easily cleaned
- Will not mar floors